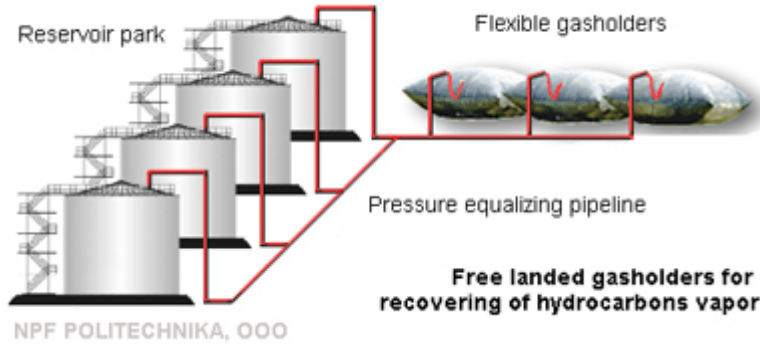


FLEXIBLE GASHOLDER FOR RECOVERING OF HYDROCARBONS VAPOR

Safe up to 95% from all losses within reservoir breathing



Maintains of petrol (gasoline, gas) reservoir park required a special steps for preventing of light hydrocarbons fraction losses and environment protection from pollutions.

With applying flexible gasholders you can solve this problem with minimum efforts and with maximum efficiency. This low cost system allows you saving up to 95% from all losses within reservoir breathing.

For mounting free landed gasholders you need just connect gasholders flexible hose to the standard pressure equalizing system of reservoir park pipeline.

Tank-mounted gasholder (see scheme bellow) is not required additional space and installing directly to the tank roof (1). In this case gasholder has two membranes: outer dome and inner diaphragm.

Outer membrane (4) is permanent erected by pressured air with air blower unit (8).

Outer shell is weather resistance and provides permanent erection of gasholder and protects them from environment influence.

Inner diaphragm (3) is hydrocarbons resistance and seal up inner space of tank (1). That is allowed to provide charge and discharge operation without any contacts of inner space of tank with atmosphere.

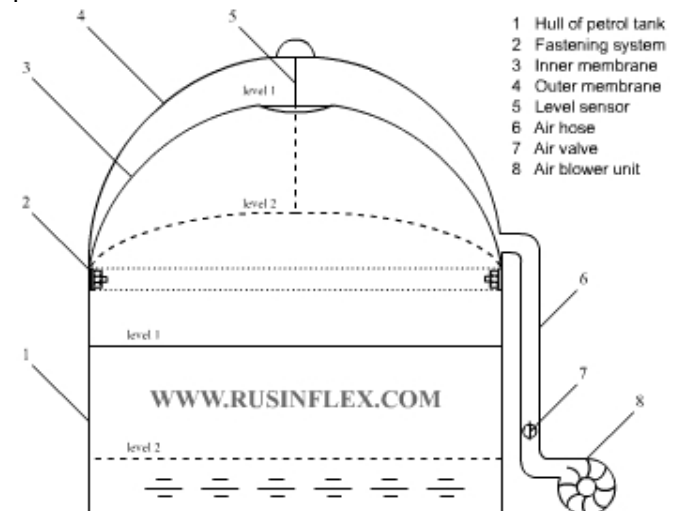
Both variant of mounting within charge operations hydrocarbons saturated air fill into hermetic space of gasholder.

Within discharge operations hydrocarbons saturated air return into the tank by low pressure which flow out petrol (gas) provide at the free tank volume.

Flexible gasholders by NPF "POLITECHNIKA" are manufactured from newest elastics composite materials and provide outstanding exploitations parameters.



Tank roof mounted gasholder



Schema of tank roof mounted gasholder